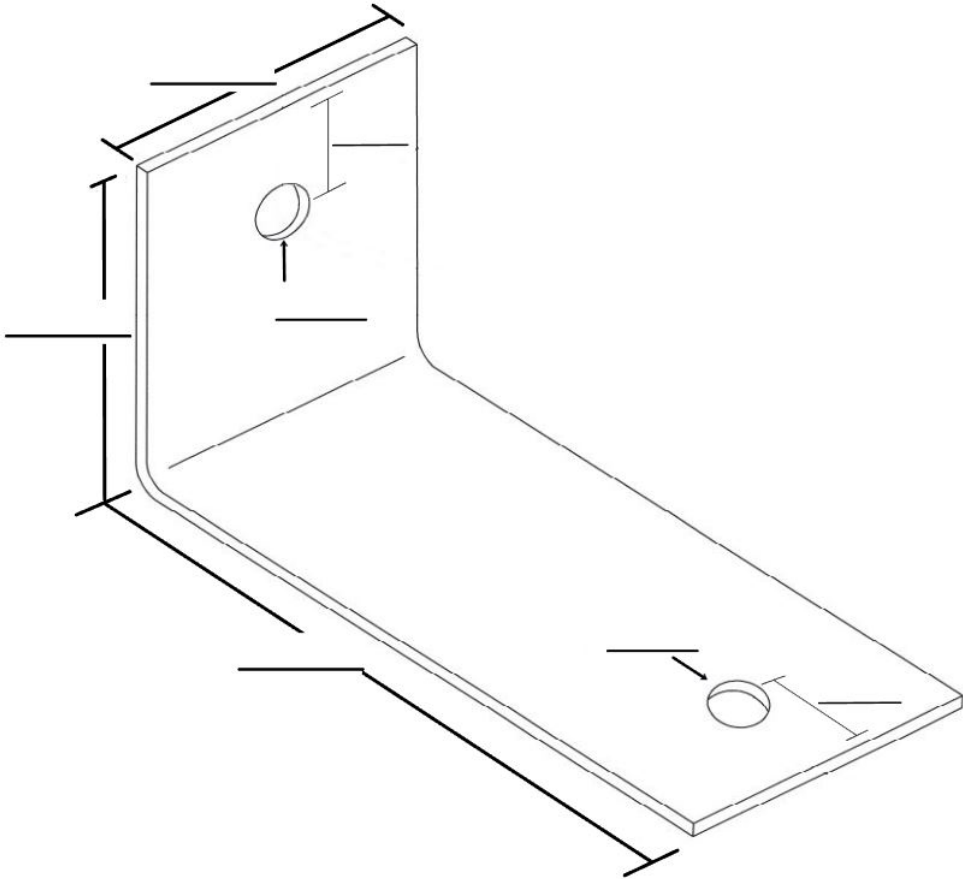


# IPCO STONE ANCHORS IN STAINLESS STEEL



**L-Type**

STAINLESS type 304

Quantity: \_\_\_\_\_

Thickness:  
           3/16"        1/8"        16ga

Length (od): \_\_\_\_\_ Width: \_\_\_\_\_

Hole Diameter: \_\_\_\_\_

Center of Hole to End: \_\_\_\_\_

Bend (od): \_\_\_\_\_

Hole Diameter: \_\_\_\_\_

Center of Hole to Top: \_\_\_\_\_

**CONTACT INFORMATION**

Name: \_\_\_\_\_

Company: \_\_\_\_\_

Phone: \_\_\_\_\_

Email: \_\_\_\_\_

Accepted By: \_\_\_\_\_

Date: \_\_\_\_\_



**ILLINOIS PRODUCTS CORPORATION**  
 423 Joseph Drive South Elgin, IL 60177

[www.illinoisproducts.com](http://www.illinoisproducts.com)

Ph: 800-383-8183 Fax: 847-289-2804